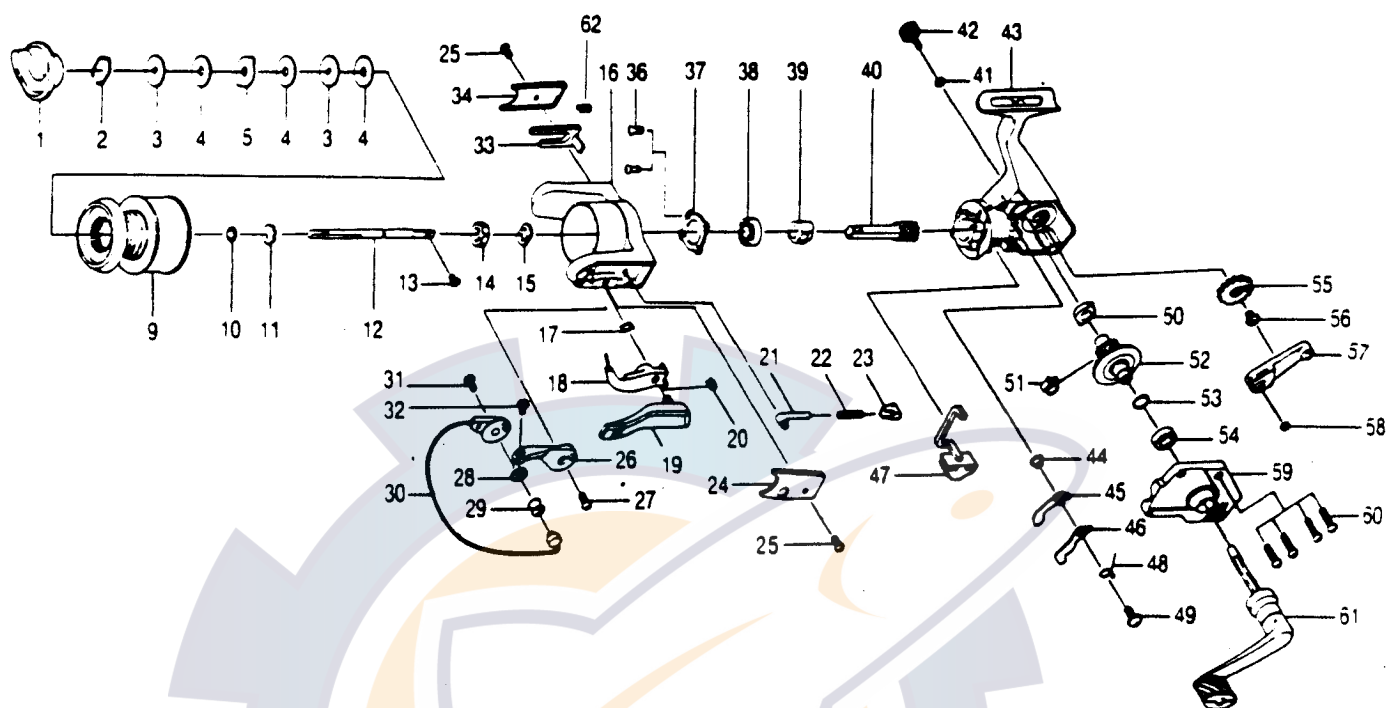


QUANTUM SL2



KEY PART NO. NO.	DESCRIPTION	PRICE	KEY PART NO. NO.	DESCRIPTION	PRICE
1 AQ332	DRAG KNOB ASSY.	1.95	33 AQ019	KICK LEVER	1.35
2 AQ038	DRAG RETAINER	.95	34 AQ024	KICK LEVER COVER	.62
3 AQ050	SPOOL WASHER 'C'	.62	36 AQ080	BEARING PLATE SCREW	.62
4 AQ033	SPOOL WASHER 'A'	.62	37 PLO40	BEARING PLATE	.57
9 AQ321	SPOOL ASSY.	7.25	38 AQ028	BODY BEARING - ROTOR	7.75
10 AQ030	SPOOL ADJ. WASHER	.55	39 PLO60	RATCHET GEAR	2.45
11 AQ037	SPOOL CLICK CLAW	1.15	40 AQ011	PINION GEAR	5.95
12 AQ015	MAIN SHAFT	2.95	41 AQ105	HANDLE CAP WASHER	.52
13 AQ100	MAIN SHAFT SCREW	.75	42 NL073	HANDLE SCREW CAP	1.29
14 NL006	ROTOR NUT	1.35	43 AQ001	BODY	5.95
15 NL065	ROTOR RETAINER WASHER	.62	44 NL091	STOPPER BUSHING	.57
16 AQ009	ROTOR	3.25	45 NL064	STOPPER 'A'	1.05
17 NL096	TRIP LINK SPRING	.67	46 NL063	STOPPER 'B'	1.15
18 PLO97	TRIP LINK	1.20	47 AQ059	STOPPER LEVER	.57
19 PL115	TRIP LEVER	2.25	48 AQ061	STOPPER L/R SPRING	.57
20 NL034	E-CLIP	.67	49 AQ083	STOPPER SCREW	.62
21 NL031	SPRING SHAFT	.62	50 AQ013	BODY BUSHING	.62
22 NL022	BAIL SPRING	.62	51 AQ086	SLIDING SPRING	.62
23 PLO20	SPRING HOLDER	.52	52 AQ012	DRIVE GEAR	2.15
24 AQ087	BAIL SPRING COVER	.62	53 AQ026	DRIVE GEAR ADJ. WASHER	.52
25 AQ085	ROTOR COVER SCREW	.67	54 AL013	BODY BUSHING	.62
26 PLO07	ARM LEVER	1.13	55 AQ053	O/S GEAR	1.05
27 AQ051	ARM LEVER SCREW	.62	56 AQ078	O/S GEAR SCREW	1.05
28 PLO17	BAIL COLLAR	1.20	57 AQ025	O/S PIVOT ARM	1.50
29 PLO04	LINE ROLLER	2.05	58 AQ056	O/S PIVOT ARM WASHER	.52
30 AQ347	BAIL ASSY.	6.35	59 AQ023	BODY COVER	3.05
31 AQ044	BAIL HOLDER SCREW	.62	60 AQ057	BODY COVER SCREW	.62
32 AQ108	BAIL SCREW	.62	61 NL318	HANDLE ASSY.	5.15
			62 WK049	KICK LEVER SPRING	.75

Prices subject to change without notice. Prices do not include postage and handling.

PLEASE ORDER BY PART NUMBER

Rev. 11/90

Zebco Division Brunswick Corporation, Box 270, Tulsa, OK 74101 USA 918-638-6681



BRUNSWICK